

Universal

RECTIFIERS, INC.

ODR Oil Cooled Cathodic Protection Rectifiers:

Rugged smaller rectifiers for lower output applications under severe conditions

Maximum 200 watts & 20 amps single phase

The "oil cooled" cathodic protection rectifiers, are recognized as industry leading in quality, workmanship and service life. Many years of field-proven service have led to the superior design of these rectifiers. Conservative equipment ratings, controlled manufacturing techniques, plus many extra features ensure long and trouble-free operation.

Typical cathodic protection applications for the oil cooled rectifier line include severe environmental conditions due to high humidity, dust, or other situations that would shorten the life of a standard air cooled rectifier.

Hazardous location models are used for Class 1, Div. 2, Group D locations and comply with U.L. Standard 698. While similar to the standard oil cooled rectifiers, the explosion proof units are fitted with special hazardous area fittings to eliminate possibility of an ignition source.

CASE SIZE	Single Phase		Shipping Weight
	OIL Capacity US Gallons	Maximum DC Watts	
ODR	4	200	90 lbs

Non Hazardous Locations (Standard)



Hazardous Locations Class 1 Div 2, Group D

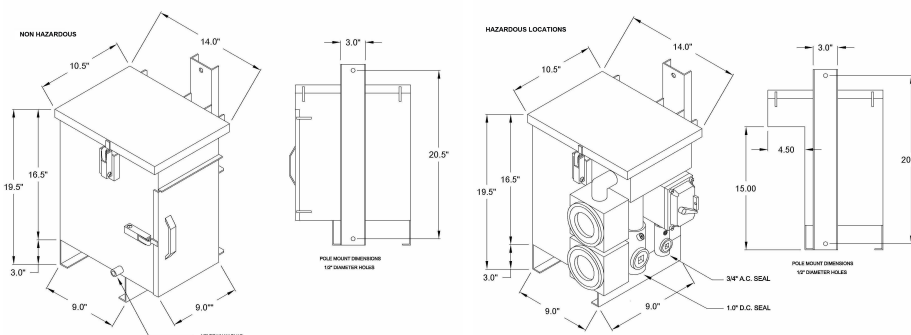


ODR Oil Cooled Series Features

- Heavy duty 11 gauge hot dip galvanized cabinet with hinged top lid and stainless steel hardware.
- Heavy duty, draw-pull, stainless steel cabinet latches.
- Wall mount, Pole mount, or Pad mount
- Separate instrument compartment with hinged door and stainless steel hardware.
- Lift-out component rack for the transformer and rectifier stack.
- Heavy duty transformer with 15% over design for reserve capacity.
- Minimum 18-step voltage control terminal strip taps.
- 3/16" Grade XX, Phenolic panels
- AC Input circuit breaker
- Magnetic AC secondary circuit breakers (instead of fuses)
- Hoyt, separate analog, 2-1/2" round, volt and amp meters
- Silicon diodes protected by surge suppressors and current limiting breakers
- All electrical connection hardware is Nickel Plated and double-nutted or soldered
- Multi-strand, high temperature, insulated flexible wiring
- Terminal block for AC input wires (Non-Hazardous models only)

Optional Features:

- Variety of AC voltage single phase inputs, 50 or 60 Hertz
- AC and/or DC High Energy lightning protection
- Communication filters.
- Meter switches - (Non Hazardous model only)
- Power-on indicator light
- DC failure warning lights
- DC circuit breakers
- Additional voltage control adjustments
- Powder coated cabinet finishes over galvanized coating (White or Gray Standard)
- Other options per request of customer.



Source: <http://www.universalrectifiers.com/ODR%20Oil%20Cooled%20and%20Explosion%20Proof.html> Retrieved 8/28/2017