



Air Cooled ES Line

Cathodic Protection Rectifiers:

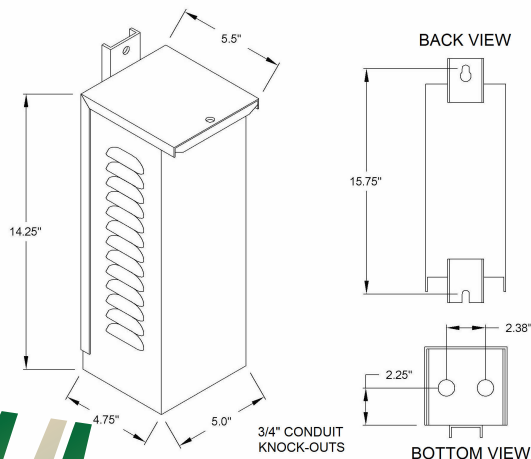
Low output, low cost, lightweight cathodic protection rectifiers for underground storage tanks and other low DC power cathodic protection application maximum 200 watts & 10 amps

ES-I Line:

- Variac Control
- NRTL / ETL third party certification

ES-II Line:

- Variac Control
- NRTL / ETL third party certification
- Hour Meter
- Red/Green DC failure light
- Solid state controller, Current Control, Voltage Control, or Auto Potential Control



Model "ES-I" Rectifier



Model "ES-II" Rectifier

Standard ES-I Line Features

- 120V AC single phase input only
- All Circuit breakers - No Fuses
- Heavy duty aluminum case for post or wall mount
- Unique opening cabinet for total access to components
- Assembly only 13" high x 5" wide x 5.5" deep
- Ammeter only
- 18-step voltage control taps
- Silicon rectifying elements
- AC and DC lightning protection
- AC input terminal block
- Accessible front panel Total precision shunt
- Standard outputs: 6V-5A, 6V-10A, 12V-5A, 12V-10A, 20V-5A, 20V-10A, 30V-5A, 40V-5A.
- Other outputs available not exceeding 200W and 10A

Standard ES-II Line Features

- 120V AC single phase input only
- All Circuit breakers - No Fuses
- Heavy duty aluminum case for post or wall mount
- Metering viewing windows
- Unique opening cabinet for total access to components
- Assembly only 13" high x 7.5" wide x 5.5" deep
- Voltmeter and ammeter
- 18-step voltage control taps
- Silicon rectifying elements
- AC and DC lightning protection
- AC input terminal block
- Accessible front panel Total precision shunt
- Standard outputs: 6V-5A, 6V-10A, 12V-5A, 12V-10A, 20V-5A, 20V-10A, 30V-5A, 40V-5A.
- Other outputs available not exceeding 200W and 10A

Source: <http://www.universalrectifiers.com/Air%20Cooled%20Standard%20Line.html> Retrieved 8/28/2017